

# CRIQT33051ATI & CRIQT33851ATI

Electronic Tap



SILFRA

**altecnic**  
CALEFFI group

# Electronic Basin Tap

CRIQT33051ATI - Battery Operated  
CRIQT33851ATI - Mains Operated



## Introduction

The Altecnic electronic basin tap with infra-red sensor is ideal for many applications in public toilets or in private bathrooms.

This tap has a single feed for mixed water and therefore should be used in conjunction with a thermostatic mixing valve.

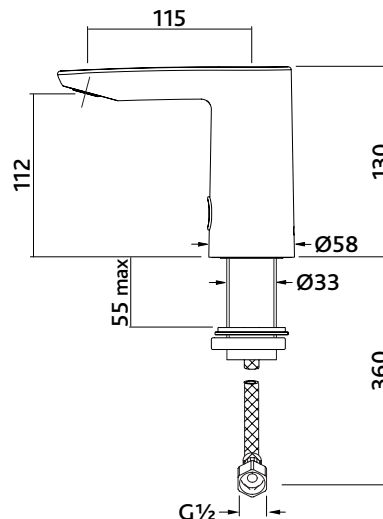
The taps come complete with;

- Integral solenoid valve
- Battery box or a mains transformer
- Stainless steel flexible hose with water hammer protection and non-return valve
- Flow straightener
- CRI QT 973 Solenoid valve wrench

## Technical Specification

Working pressure:	0.5 to 5 bar
Working temperature range:	5 to 80°C
Activation distance:	120mm
Flow time:	30 sec
Flow at 3 bar pressure:	6 l/min
Battery operate:	CC6V Cr-P2 lithium 6V
Transformer:	230 V, 50 Hz AC

## Dimensions



## Power Supplies



Battery and battery box



Transformer

© Patents & Design Altecnic 2021

Altecnic Ltd retains all rights (including patents, designs and copyrights, trademarks and any other intellectual property rights) in relation to all information provided on or via the website, brochures or any other documents, including all texts, graphics and logos, contained on the website, in brochures or in any other documents published in the name of or on behalf of Altecnic Ltd in any form, without prior written consent of Altecnic Ltd.

Altecnic Ltd Mustang Drive, Stafford, Staffordshire ST16 1GW

T: +44 (0)1785 218200 E: sales@altecnic.co.uk

Registered in England No: 02095101

[altecnic.co.uk](http://altecnic.co.uk)

AL 394 19-01-21

E & O.E

© Altecnic Limited. 2021

ALTECNIC™

**altecnic**  
CALEFFI group